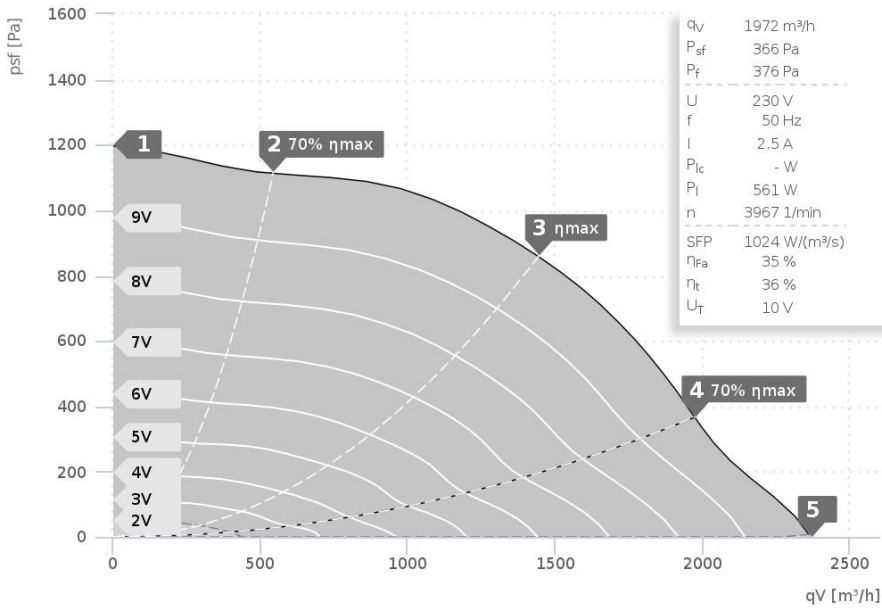


DATA SHEET

MPC 225 EC T30 | 143077



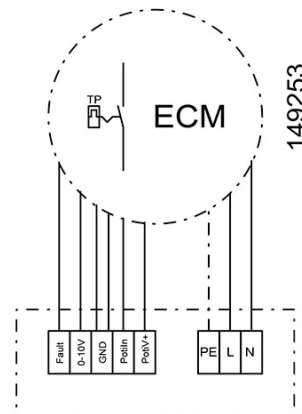
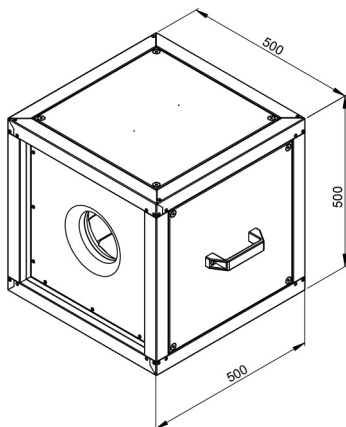
- Max. medium temperature 120°C
- EC-motor outside of air stream
- Speed controllable
- With condensate and grease drain
- 30 mm insulation

— ErP compliant range

Operating Point		1	2	3	4	5
Current I	A	1,3	2,2	3,0	2,5	2,2
Power consumption P _l	W	274	490	682	565	475
RPM n	1/min	3961	3966	3968	3976	3960
SPL inlet L _{WA5}	dB(A)	83	81	80	85	86
SPL outlet L _{WA6}	dB(A)	87	86	86	90	92
SPL casing break out L _{WA2}	dB(A)	80	80	80	80	80

Sound power (L _W) dB(A)		Medium Frequency Band								
		Σ	63	125	250	500	1k	2k	4k	8k
Inlet	L _{WA5}	85	64	60	73	80	79	76	74	72
Outlet	L _{WA6}	90	58	66	77	84	86	85	78	72
Casing	L _{WA2}	80	58	62	64	68	72	77	72	67

MPC 225 EC T30 143077	
Voltage U _N	230 V 1~
Current I _{max}	3,2 A
Ambient temperature t _A	50 °C
Medium temperatures t _M	120 °C
Speed Control	0-10V
Motor protection	TEC
Insulation class motor	F
Weight	33,0 kg
Poles	-
IP motor	IP54
IP terminal box	-
Min. operating temperature	-20 °C



149253