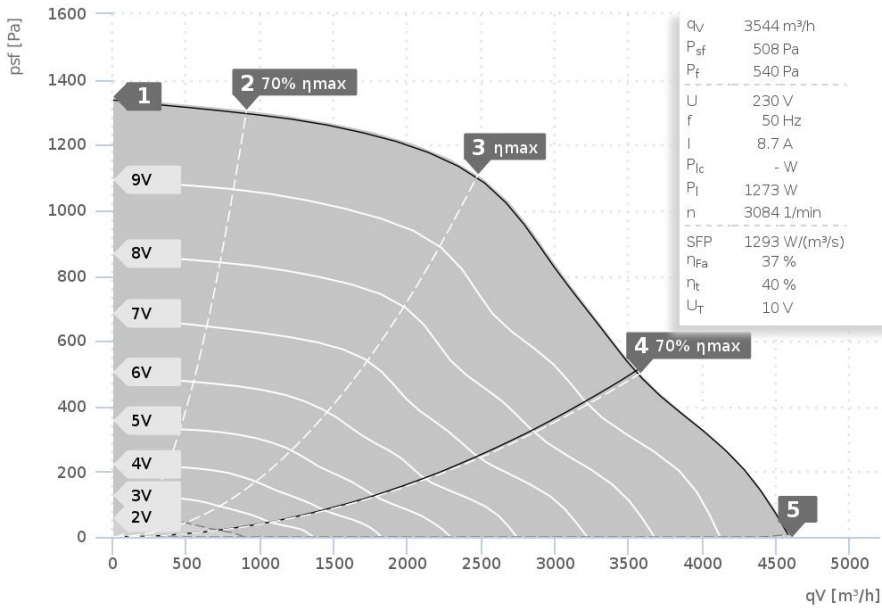


# DATA SHEET

## MPC 315 EC T30 | 149264



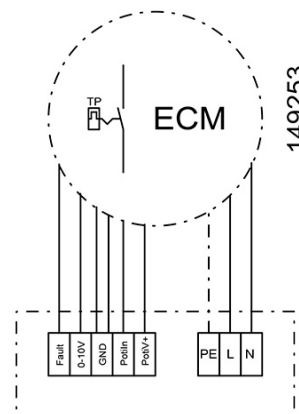
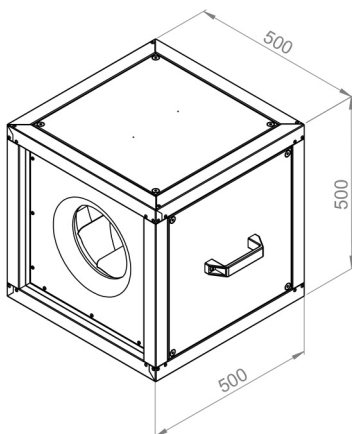
- Max. medium temperature 120°C
- EC-motor outside of air stream
- Speed controllable
- With condensate and grease drain
- 30 mm insulation

— ErP compliant range

Operating Point		1	2	3	4	5
Current I	A	3,9	6,1	9,3	8,8	7,5
Power consumption P <sub>l</sub>	W	508	860	1383	1286	1075
RPM n	1/min	3092	3099	3098	3098	3097
SPL inlet L <sub>WA5</sub>	dB(A)	87	87	87	90	92
SPL outlet L <sub>WA6</sub>	dB(A)	90	90	90	93	95
SPL casing break out L <sub>WA2</sub>	dB(A)	79	78	77	80	81

Sound power (L <sub>W</sub> ) dB(A)		Medium Frequency Band								
		Σ	63	125	250	500	1k	2k	4k	8k
Inlet	L <sub>WA5</sub>	90	50	68	81	86	83	80	76	68
Outlet	L <sub>WA6</sub>	92	52	67	83	88	87	85	79	72
Casing	L <sub>WA2</sub>	80	52	65	75	77	70	72	65	58

MPC 315 EC T30   149264	
Voltage U <sub>N</sub>	230 V 1~
Current I <sub>max</sub>	9,9 A
Ambient temperature t <sub>A</sub>	50 °C
Medium temperatures t <sub>M</sub>	120 °C
Speed Control	0-10V
Motor protection	TEC
Insulation class motor	F
Weight	41,0 kg
Poles	-
IP motor	IP54
IP terminal box	-
Min. operating temperature	-20 °C



149253