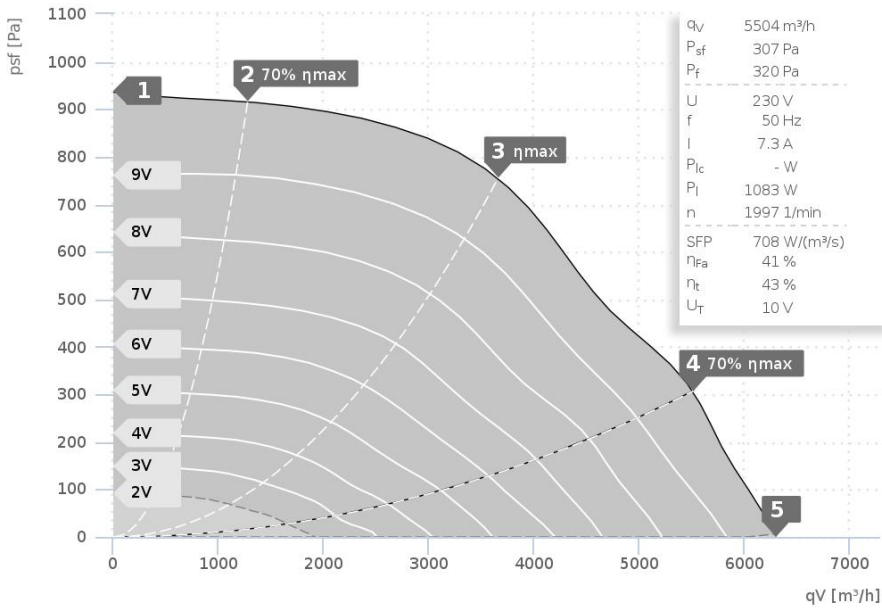


DATA SHEET

MPC 400 EC T30 | 149327



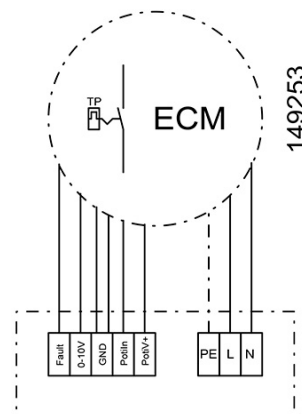
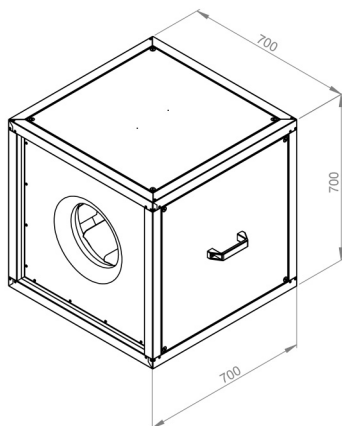
- Max. medium temperature 120°C
- EC-motor outside of air stream
- Speed controllable
- With condensate and grease drain
- 30 mm insulation

— ErP compliant range

Operating Point		1	2	3	4	5
Current I	A	3,3	5,4	8,4	7,3	5,8
Power consumption P ₁	W	439	768	1253	1086	836
RPM n	1/min	1995	2002	2000	1999	2000
SPL inlet L _{WA5}	dB(A)	82	81	82	87	88
SPL outlet L _{WA6}	dB(A)	85	84	85	88	90
SPL casing break out L _{WA2}	dB(A)	72	72	70	73	74

Sound power (L _W) dB(A)		Medium Frequency Band								
		Σ	63	125	250	500	1k	2k	4k	8k
Inlet	L _{WA5}	87	51	68	80	83	79	77	73	65
Outlet	L _{WA6}	88	53	69	79	82	84	80	76	66
Casing	L _{WA2}	73	50	63	68	68	65	62	57	49

MPC 400 EC T30 149327	
Voltage U _N	230 V 1~
Current I _{max}	8,8 A
Ambient temperature t _A	50 °C
Medium temperatures t _M	120 °C
Speed Control	0-10V
Motor protection	TEC
Insulation class motor	F
Weight	65,0 kg
Poles	-
IP motor	IP54
IP terminal box	-
Min. operating temperature	-20 °C



149253