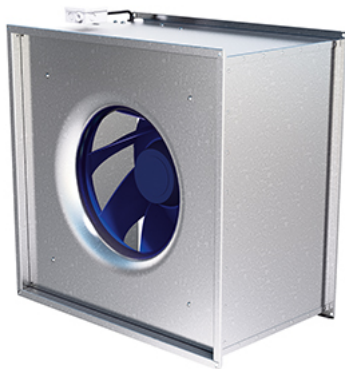


## BFS 700X700 D3 ERP



### Boxfan BFS

- Duct fan with square connections.
- High capacity and very good efficiency.
- Operational in both 50 and 60 Hz.
- Impeller with backward curved blades.
- The external rotor motor has maintenance-free sealed ball-bearings.
- Integrated motor protection.
- Junction box has enclosure class IP 54.
- For speed control a transformer can be connected.
- Fan housing is manufactured from galvanized sheet steel.
- The fan is intended to be installed in a duct system.
- A duct connected fan can be installed outside or in damp environments.
- Easy installation in any position.

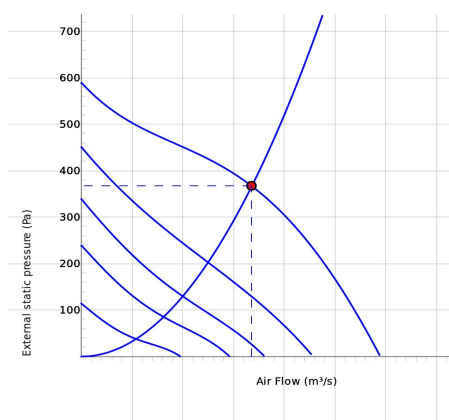
## DIAGRAMS



## Work Point

Air Flow (m <sup>3</sup> /s) 1.68	External static pressure (Pa) 367	Power (W) 1325	Speed (r.p.m.) 1286	Current (A) 2.7	Efficiency (%) 46.5	SFP (kW/m <sup>3</sup> /s) 0.789	Voltage (V) 400
---	---	-------------------	------------------------	--------------------	------------------------	-------------------------------------	--------------------

## SOUND DATA



	Tot	63	125	250	500	1k	2k	4k	8k
Inlet Lw dB(A)	81	60	76	71	74	74	73	71	65
Outlet Lw dB(A)	85	69	76	76	77	82	77	72	63
Surrounding Lw dB(A)	63	47	51	62	53	51	46	42	38
Surrounding Lp dB (A) 3m	56								

## Work Point

Air Flow (m³/s) 1.68	External static pressure (Pa) 367	Power (W) 1325	Speed (r.p.m.) 1286	Current (A) 2.7	Efficiency (%) 46.5	SFP (kW/m3/s) 0.789	Voltage (V) 400
-------------------------	--------------------------------------	-------------------	------------------------	--------------------	------------------------	------------------------	--------------------

## TECHNICAL DATA

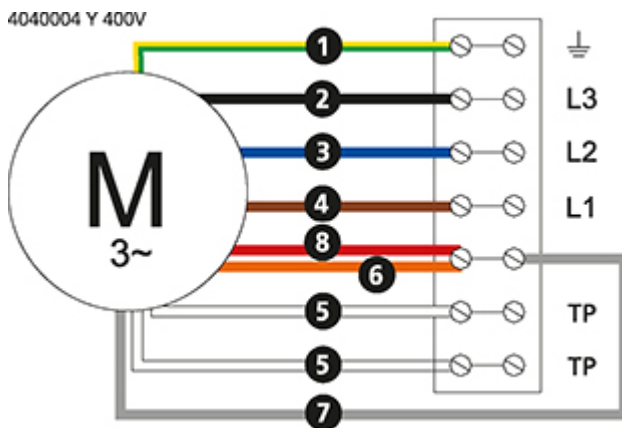
### BFS 700x700 D3 ErP 7460011

Parameter	Value	Unit
Voltage	400	V
Voltage Delta	230	V
Phase	3	~
Frequency	50	Hz
Power	1340	W
Current	2.71	A
Current Delta	4.71	A
Speed	1280	r.p.m.
Max. temperature of transported air	60	°C
Max. temperature of transported air when speed controlled	60	°C
Sound pressure level at 3 m	57	dB(A)
Weight	45.5	kg
Enclosure class	54	IP
Insulation class, motor	F	
Capacitor	-	µF
Duct connection	700x700	mm
Max. flow	2.947	m <sup>3</sup> /s
Max. pressure	587	Pa
Voltage range	380-415	V

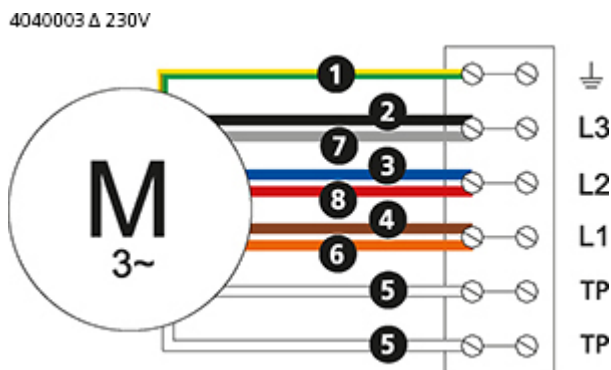
## ECODESIGN

Parameter	Value	Unit
(a) Manufacturer	Östberg	-
(b) Model code	BFS 700x700 D3 ErP	-
(c) Declared type	NRVU / UVU	-
(d) Type of drive	Multi-speed drive	-
(e) Type of HRS	N/A	-
(f) Thermal efficiency	N/A	%
(g) Nominal flow rate	1.586	m <sup>3</sup> /s
(h) Effective power input	1.298	kW
(i) SFP int	N/A	W/(m <sup>3</sup> /s)
(j) Face velocity	N/A	m/s
(k) Nominal external pressure	381	Pa
(l) Internal pressure drop	N/A	Pa
(n) Static efficiency	50.2	%
(o) External (and internal) leakage rate	N/A (N/A)	%
(p) Filter classification	N/A	%
(q) Visual filter warning	N/A	-
(r) Sound power level	64	dB LwA
(s) Disassembly instructions	<a href="http://www.ostberg.com">www.ostberg.com</a>	-

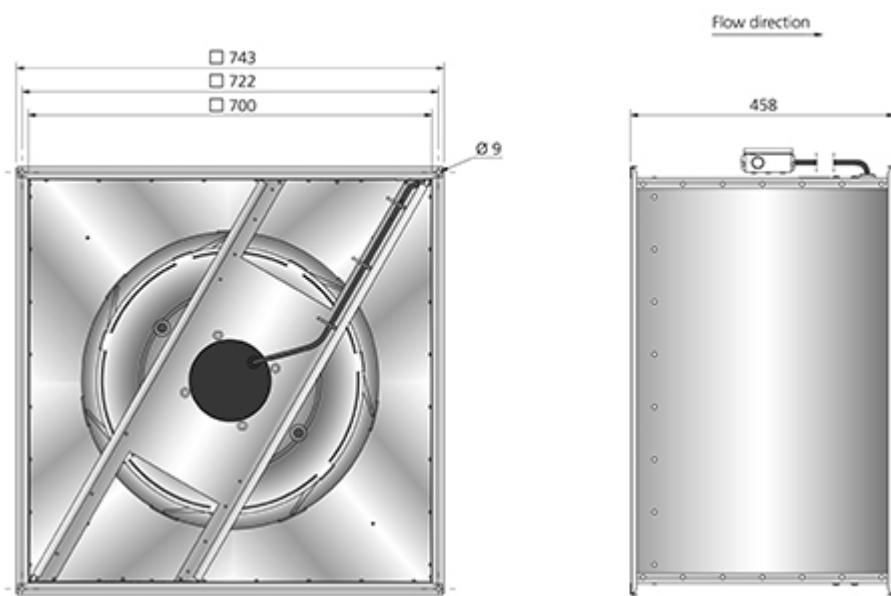
## WIRING DIAGRAM



- Ⓜ = Fan Motor
- Ⓜ<sub>1</sub> = Fan Motor
- Ⓜ<sub>2</sub> = Fan Motor
- Ⓜ<sub>3</sub> = Rotor Motor
- ① = Yellow/Green
- ② = Black
- ③ = Blue
- ④ = Brown
- ⑤ = White
- ⑥ = Orange
- ⑦ = Grey
- ⑧ = Red
- ⑨ = Green
- ⑩ = Violet
- ⑪ = Quick switch
- ⑫ = Yellow



## DIMENSIONS



## ACCESSORIES

### Mechanical accessories



Mounting bracket Kit  
Universal

### Electrical accessories



Transformer  
controller VRTT 4



Transformer  
controller VRDT 4