

BFS 850X850 B3 ERP



Boxfan BFS

- Duct fan with square connections.
- High capacity and very good efficiency.
- Impeller with backward curved blades.
- The external rotor motor has maintenance-free sealed ball-bearings.
- Integrated motor protection.
- Junction box has enclosure class IP 54.
- For speed control a transformer can be connected.
- Fan housing is manufactured from galvanized sheet steel.
- The fan is intended to be installed in a duct system.
- A duct connected fan can be installed outside or in damp environments.
- Easy installation in any position.



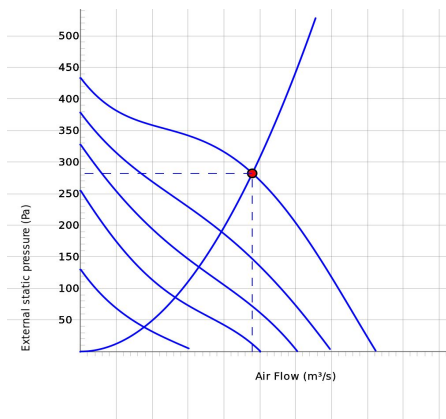
DIAGRAMS



Work Point

Air Flow (m ³ /s) 2.4	External static pressure (Pa) 282	Power (W) 1364	Speed (r.p.m.) 922	Current (A) 3.36	Efficiency (%) 49.6	SFP (kW/m ³ /s) 0.569	Voltage (V) 400
--	---	-------------------	-----------------------	---------------------	------------------------	-------------------------------------	--------------------

SOUND DATA



	Tot	63	125	250	500	1k	2k	4k	8k
Inlet Lw dB(A)	80	61	74	70	71	74	72	67	59
Outlet Lw dB(A)	87	74	78	81	82	81	75	68	59
Surrounding Lw dB(A)	66	45	51	65	58	55	51	45	36
Surrounding Lp dB (A) 3m	59								

Work Point

Air Flow (m³/s) 2.4	External static pressure (Pa) 282	Power (W) 1364	Speed (r.p.m.) 922	Current (A) 3.36	Efficiency (%) 49.6	SFP (kW/m3/s) 0.569	Voltage (V) 400
------------------------	--------------------------------------	-------------------	-----------------------	---------------------	------------------------	------------------------	--------------------

TECHNICAL DATA

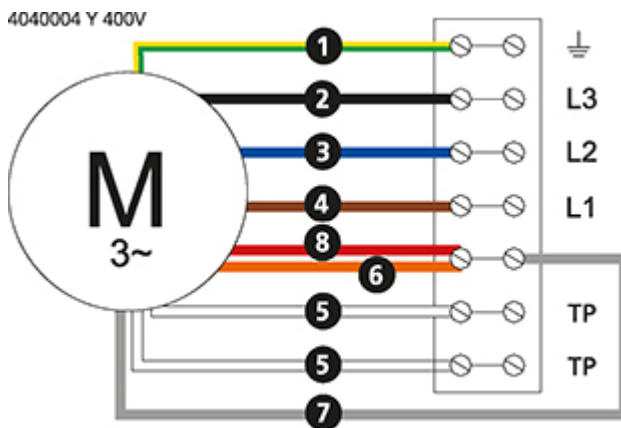
BFS 850x850 B3 ErP 7460015

Parameter	Value	Unit
Voltage	400	V
Voltage Delta	230	V
Phase	3	~
Frequency	50	Hz
Power	1360	W
Current	3.37	A
Current Delta	5.86	A
Speed	920	r.p.m.
Max. temperature of transported air	60	°C
Max. temperature of transported air when speed controlled	60	°C
Sound pressure level at 3 m	59	dB(A)
Weight	60.8	kg
Enclosure class	54	IP
Insulation class, motor	F	
Capacitor	-	µF
Duct connection	850x850	mm
Max. flow	4.123	m ³ /s
Max. pressure	428	Pa
Voltage range	380-415	V

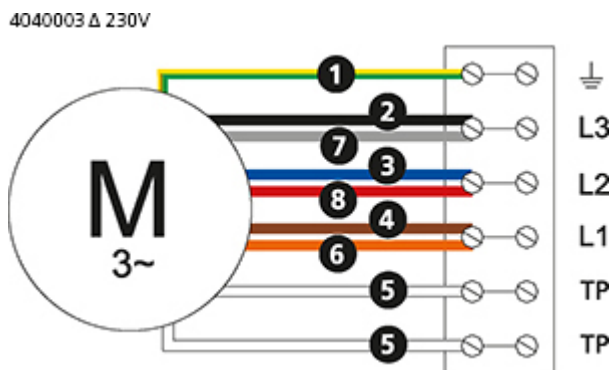
ECODESIGN

Parameter	Value	Unit
(a) Manufacturer	Östberg	-
(b) Model code	BFS 850x850 B3 ErP	-
(c) Declared type	NRVU / UVU	-
(d) Type of drive	Multi-speed drive	-
(e) Type of HRS	N/A	-
(f) Thermal efficiency	N/A	%
(g) Nominal flow rate	2.238	m ³ /s
(h) Effective power input	1.343	kW
(i) SFP int	N/A	W/(m ³ /s)
(j) Face velocity	3.9	m/s
(k) Nominal external pressure	299	Pa
(l) Internal pressure drop	N/A	Pa
(n) Static efficiency	51.8	%
(o) External (and internal) leakage rate	0.09 (N/A)	%
(p) Filter classification	N/A	%
(q) Visual filter warning	N/A	-
(r) Sound power level	66	dB LwA
(s) Disassembly instructions	www.ostberg.com	-

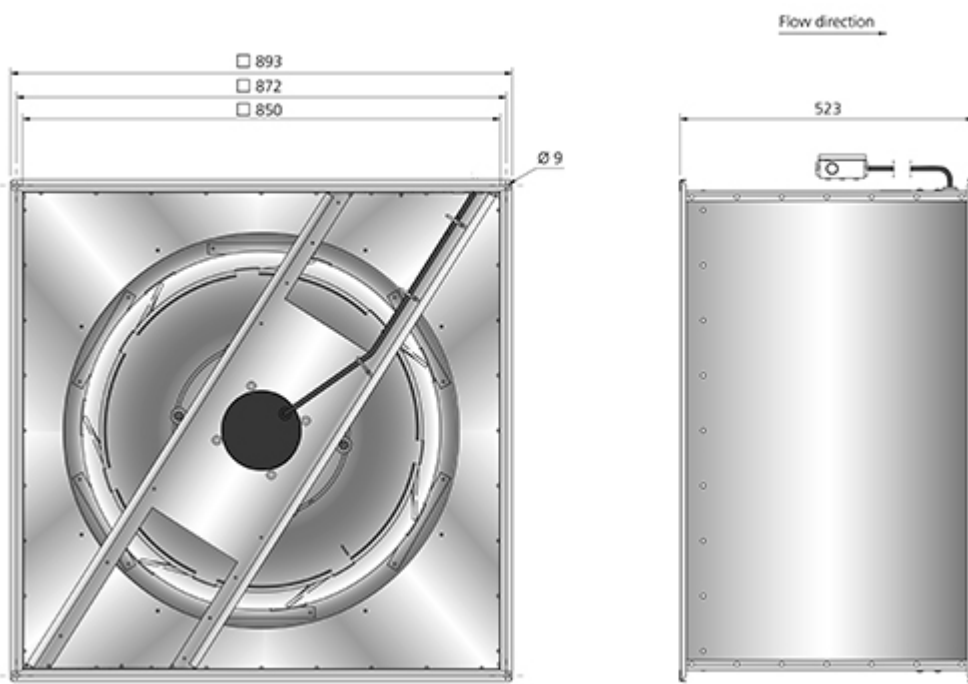
WIRING DIAGRAM



- Ⓜ = Fan Motor
- Ⓜ₁ = Fan Motor
- Ⓜ₂ = Fan Motor
- Ⓜ₃ = Rotor Motor
- ① = Yellow/Green
- ② = Black
- ③ = Blue
- ④ = Brown
- ⑤ = White
- ⑥ = Orange
- ⑦ = Grey
- ⑧ = Red
- ⑨ = Green
- ⑩ = Violet
- ⑪ = Quick switch
- ⑫ = Yellow



DIMENSIONS



ACCESSORIES

Electrical accessories



Transformer
controller VRTT 4



Transformer
controller VRDT 4