



65a Moyle Road, Dublin Industrial Estate, Glasnevin, Dublin 11, Ireland, **T:** + 353 1 8303311,
F: + 353 1 8303313, **E:** sales@woodleighventilation.ie **W:** www.woodleighventilation.ie

Providing Solutions for Air Movement

PTS RANGE

DIRECT DRIVEN TWIN FAN UNITS



ERP
2015 COMPLIANT

DIRECT DRIVE TWIN FAN RANGE

Model PTS internal unit

Twin Fan Units are designed primarily for use where continuous extract or supply air is required by means of a duty and standby fan, thus allowing auto-change over when wired to a suitable control panel. The fans utilise a common air outlet combined with a damper system to prevent re-circulation of air through the standby fan. The fans are DIDW forward curve type, which are direct driven and manufactured to European Standards in accordance with ISO 5801:2007 and are ERP 2015 compliant. All units are manufactured from pre-galvanised sheet steel in wraparound form. Internal mounted units have air inlet and outlet on opposite ends of the casing. A removable panel is fitted top or bottom to provide service access.



Model PTRS external unit

External mounted units have an option of air inlet on the bottom or on the end of the casing. If end inlet is required the unit is mounted on a channel support. Air outlet is via a weather louvre grille fitted with bird screen. A removable panel is fitted to the top to provide service access.

OPTIONAL EXTRA FEATURES

End or bottom air inlet

Weather skirt – model PTRS
Channel support – model PTRS
Acoustic lining
Powdercoat paint finish – model PTRS
Circular spigots.

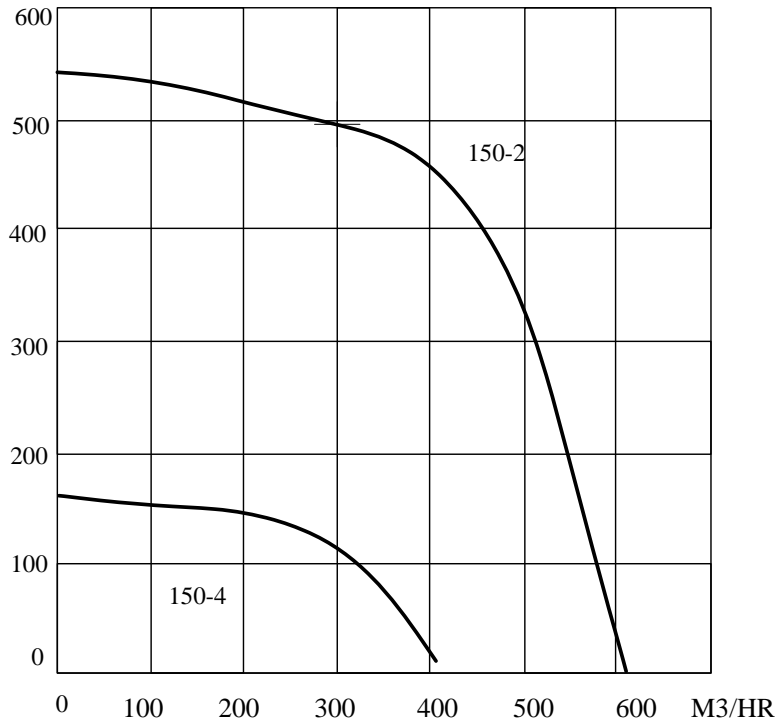
AUTO-CHANGEOVER PANELS

All twin fan units require an auto-changeover panel which provides switching from fan 1 to fan 2 in the unlikely event of fan failure.

ERP 2015 COMPLIANT

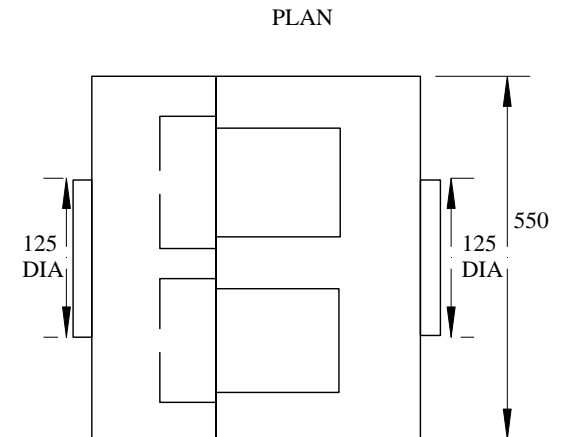
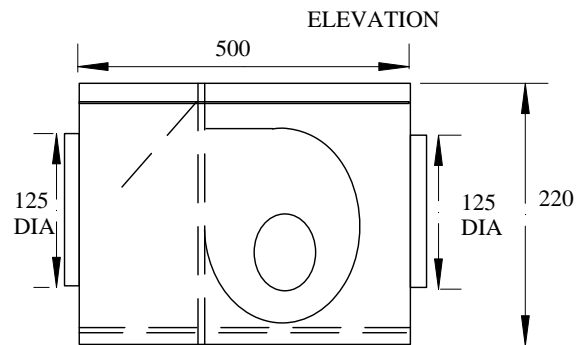
PTS 1-2
2 Pole
Motor 278 Watt
Flc 1.2 amps
230/1/50
Sound Power Spectrum
63 125 250 500 1K 2K 4K 8K
36 48 60 62 67 65 61 61

DUCT MOUNTED DIRECT DRIVEN TWIN FAN UNIT



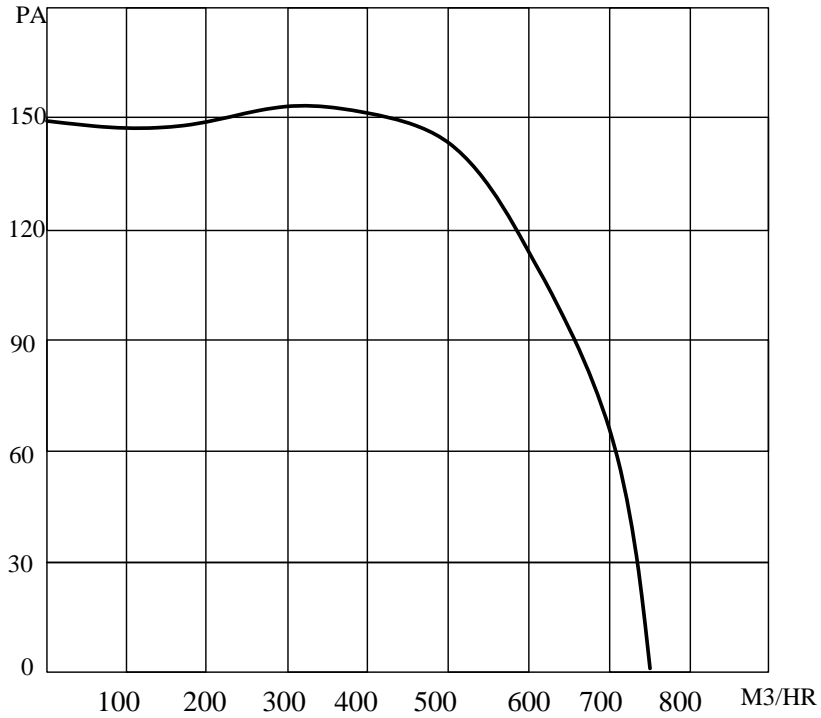
PTS 1-4
4 Pole
Motor 70 Watt
Flc 0.33 amps
230/1/50
Sound Power Spectrum
63 125 250 500 1K 2K 4K 8K
36 43 50 55 57 53 51 47

RECTANGULAR SPIGOT OPTION 100 H X 175 W

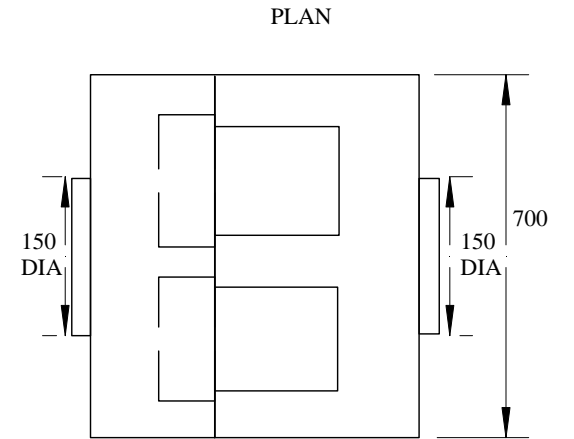
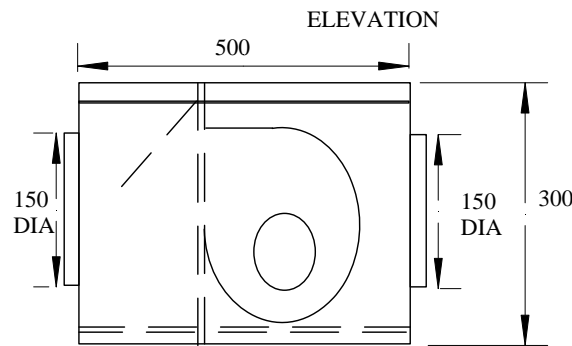


PTS 2
4 Pole
Motor 125 Watt
Flc 0.57 amps
230/1/50
Sound Power Spectrum
63 125 250 500 1K 2K 4K 8K
33 42 51 58 64 59 55 49

DUCT MOUNTED DIRECT DRIVEN TWIN FAN UNIT

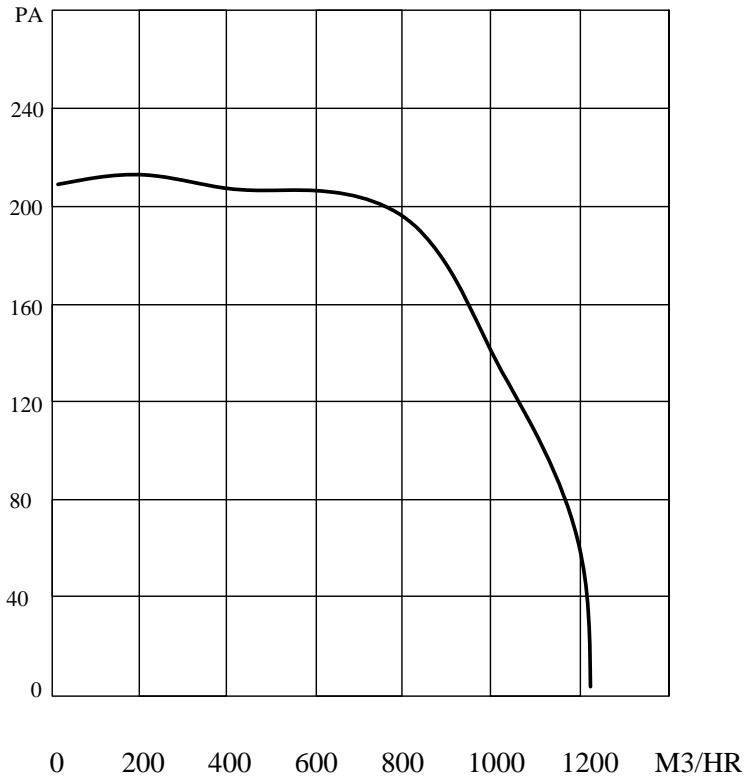


RECTANGULAR SPIGOT OPTION 150 H X 225 W

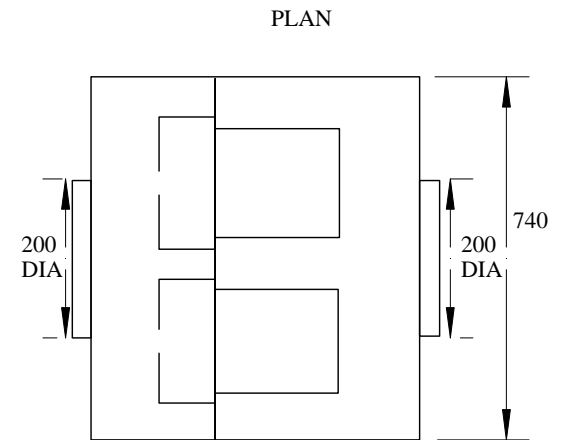
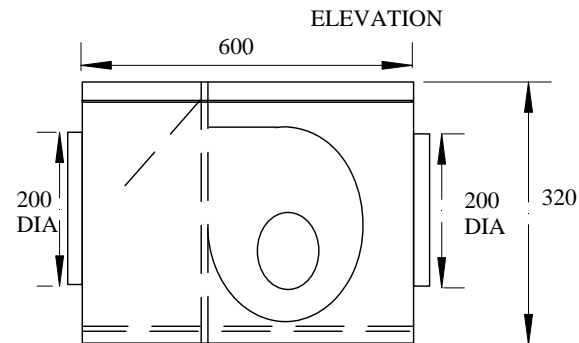


PTS 3
4 Pole
Motor 244 Watt
Flc 1 amps
230/1/50
Sound Power Spectrum
63 125 250 500 1K 2K 4K 8K
40 51 57 59 64 59 57 51

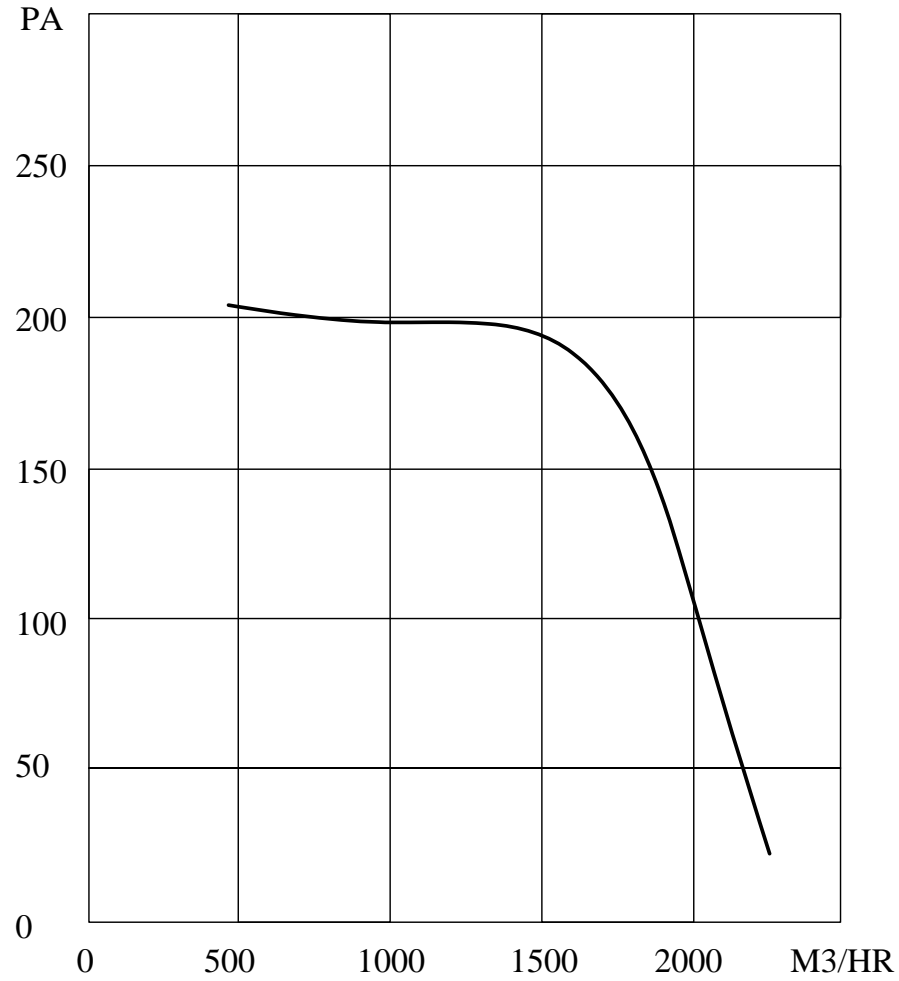
DUCT MOUNTED DIRECT DRIVEN TWIN FAN UNIT



RECTANGULAR SPIGOT OPTION 150 H X 250 W

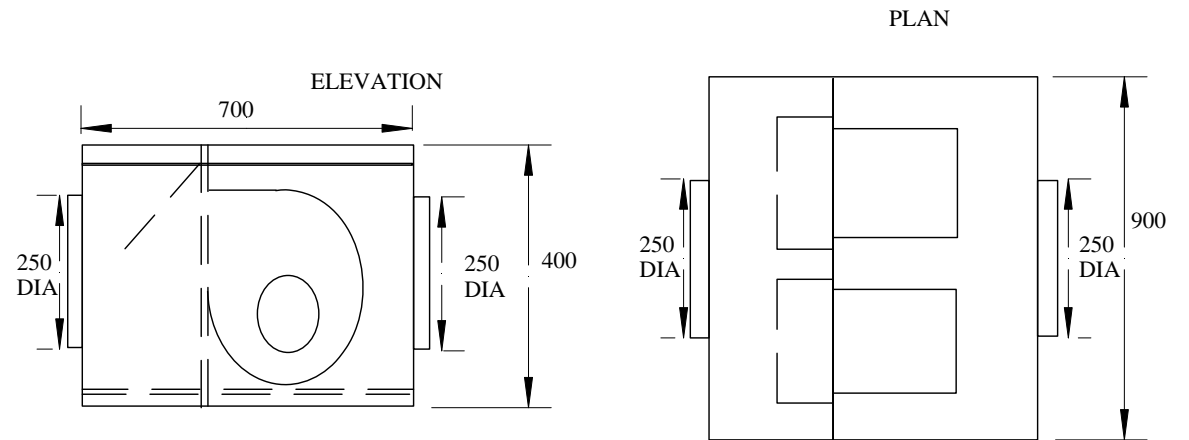


ERP 2015 COMPLIANT

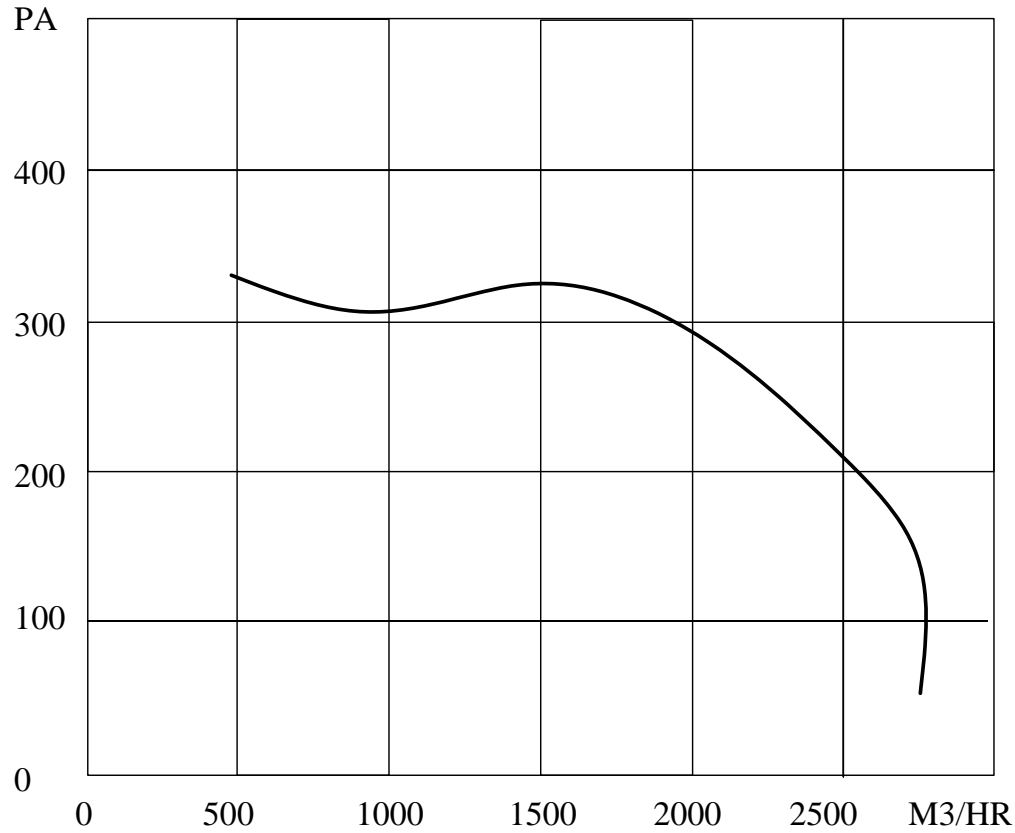


RECTANGULAR SPIGOT OPTION 200 H X 350 W

PTS 4
4 Pole DDM 7/7
Motor 300 Watt
Flc 2.4 amps
230/1/50
Sound Power Spectrum
63 125 250 500 1K 2K 4K 8K
50 56 62 68 73 72 69 62

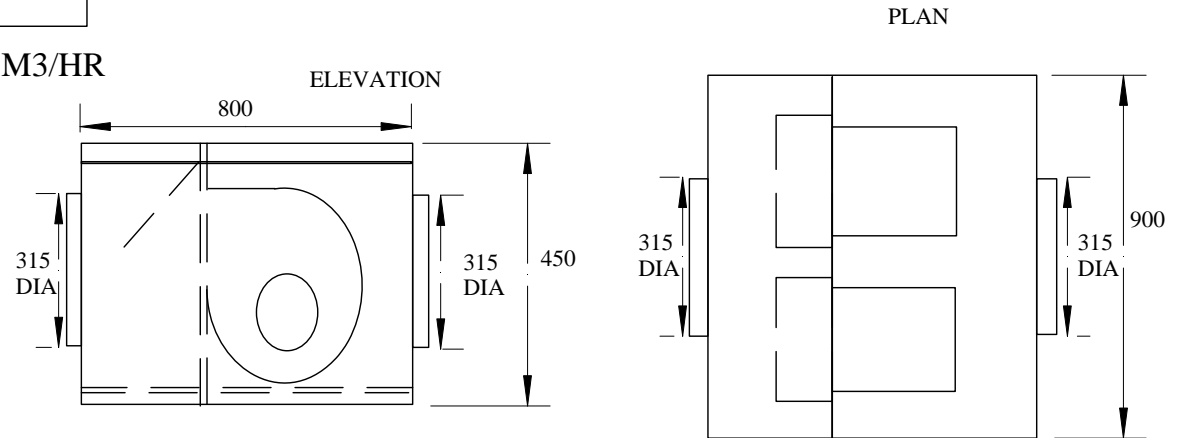


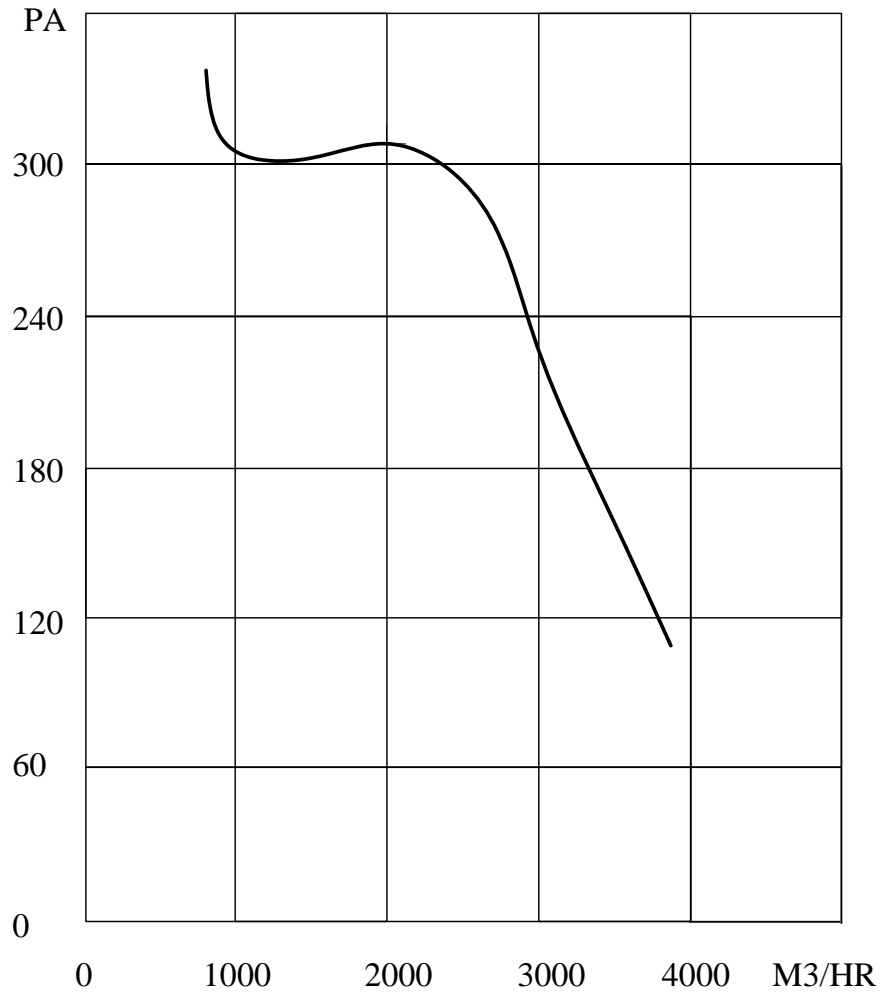
ERP 2015 COMPLIANT



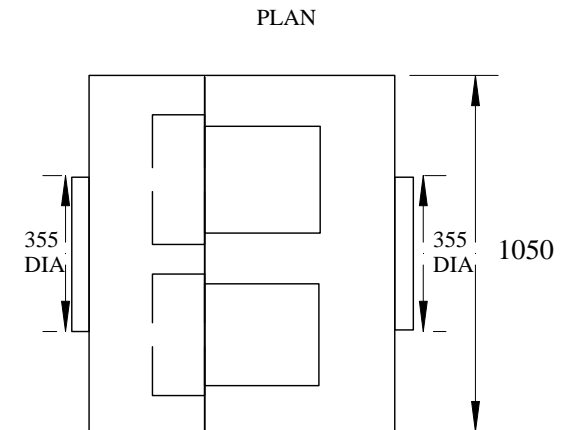
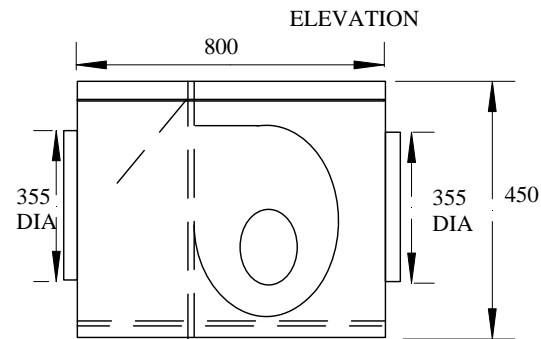
PTS 5
4 Pole DDM 9/7
Motor 420 Watt
Flc 3.9 amps
230/1/50
Sound Power Spectrum
63 125 250 500 1K 2K 4K 8K
47 59 67 73 76 74 70 60

RECTANGULAR SPIGOT OPTION 325 H X 400 W

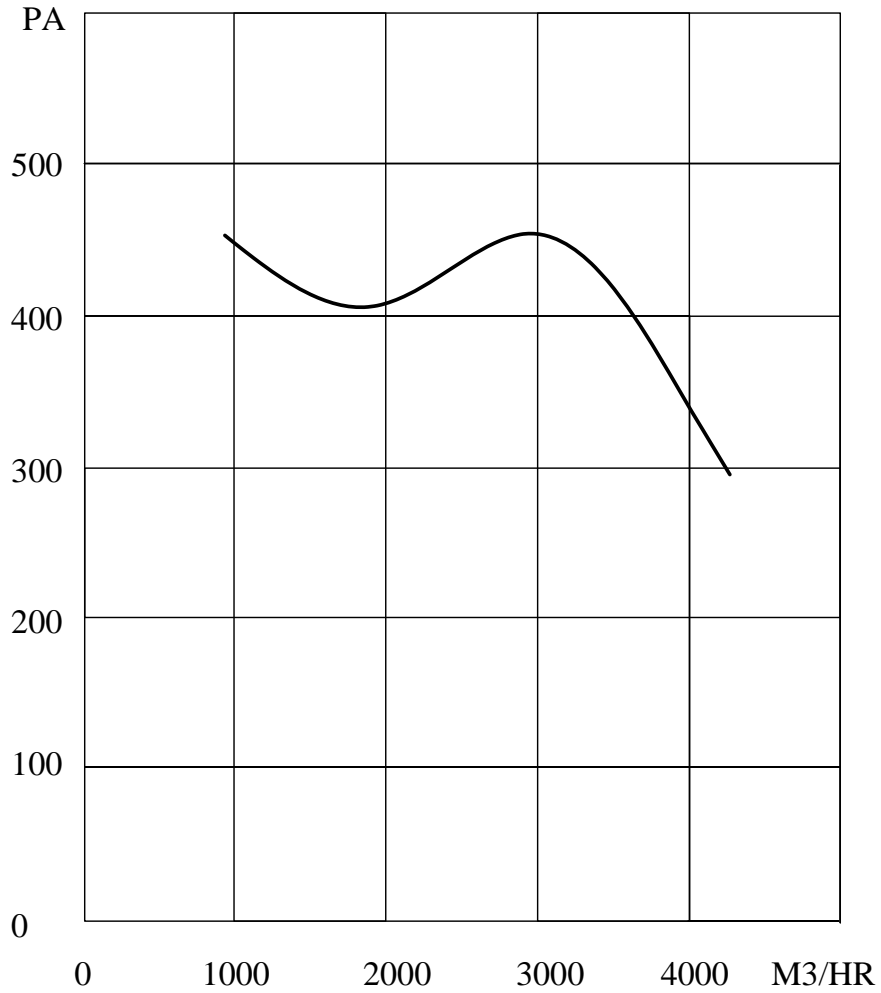




PTS 6
 4 Pole DDM 9/9
 Motor 550 Watt
 Flc 4.6 amps
 230/1/50
 Sound Power Spectrum
 63 125 250 500 1K 2K 4K 8K
 48 58 67 70 75 74 71 62

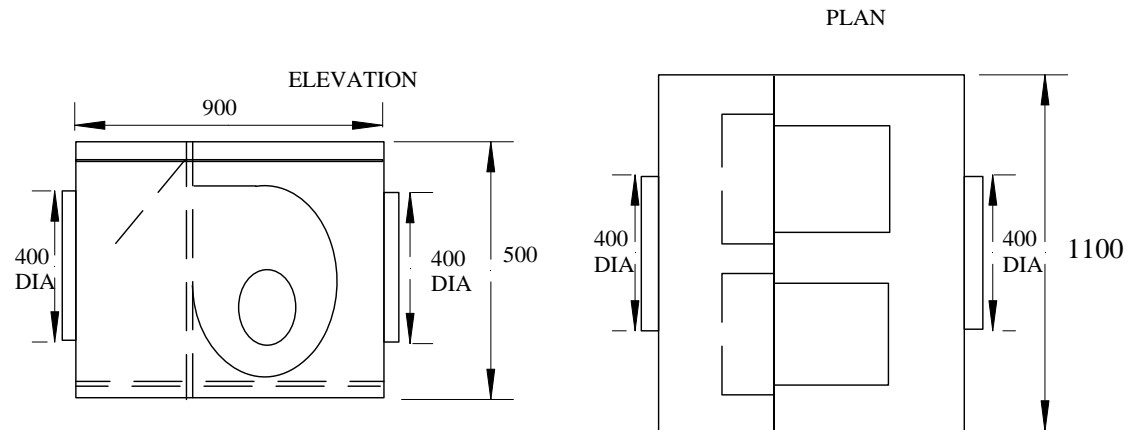


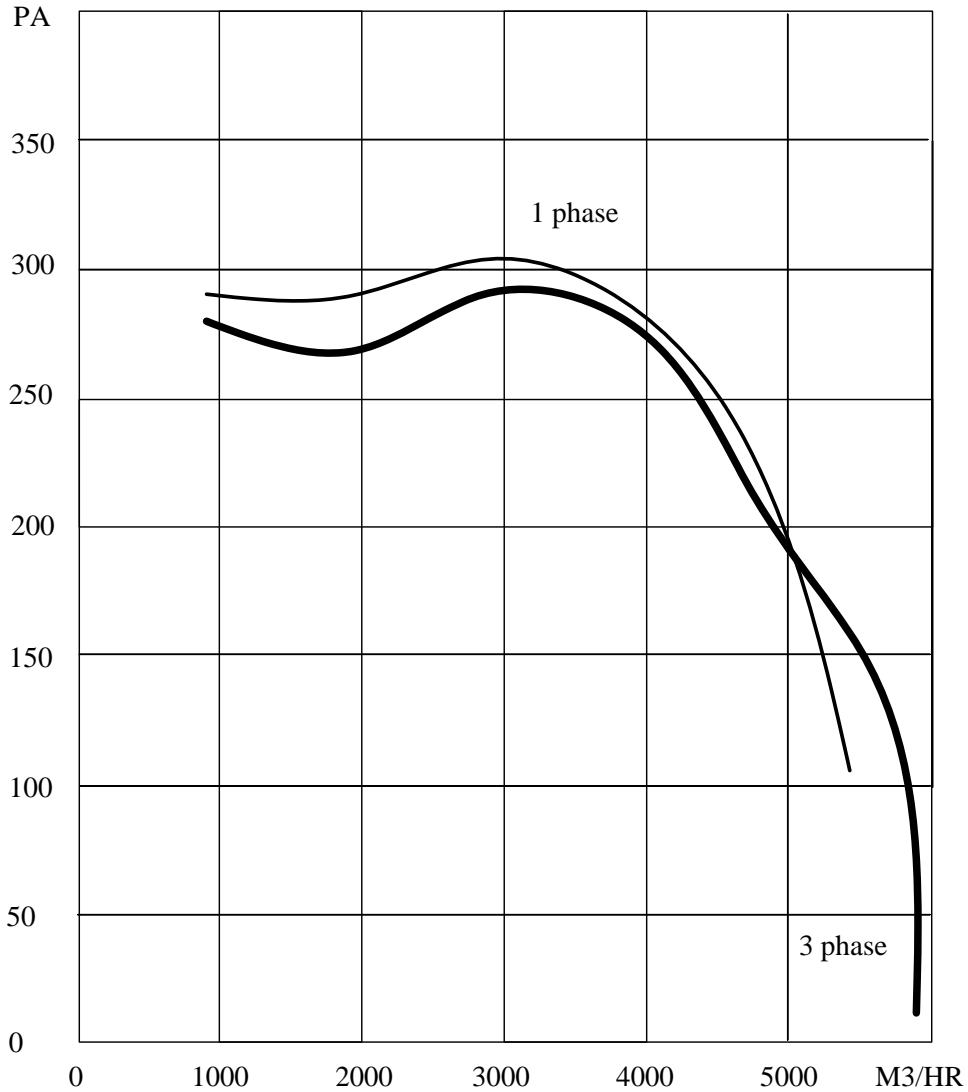
RECTANGULAR SPIGOT OPTION 350 H X 450 W



PTS 7
 4 Pole DDM 10/10
 Motor 600 Watt
 Flc 6.8 amps
 230/1/50
 Sound Power Spectrum
 63 125 250 500 1K 2K 4K 8K
 50 62 68 70 75 74 71 63

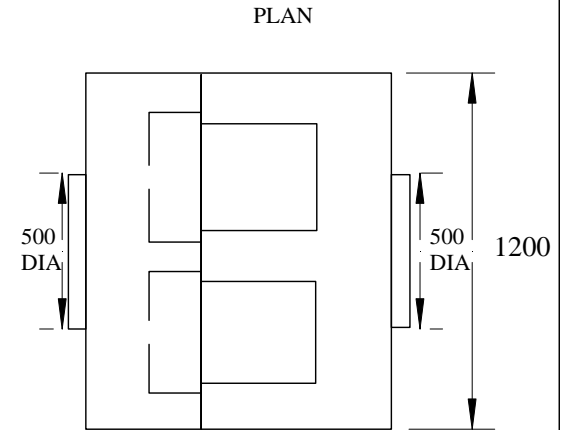
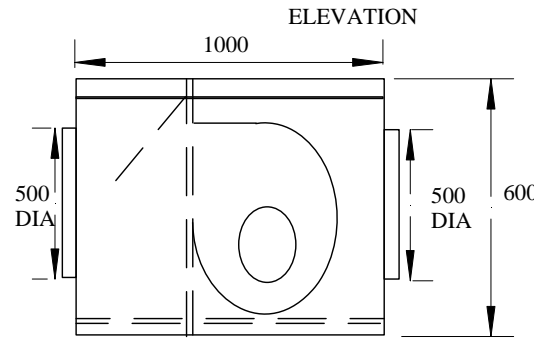
RECTANGULAR SPIGOT OPTION 350 H X 450 W





PTS 8 1PH
 6 Pole DD 12/9
 Motor 736 Watt
 Flc 7.6 amps
 230/1/50
 Sound Power Spectrum
 63 125 250 500 1K 2K 4K 8K
 48 62 66 70 73 75 71 64

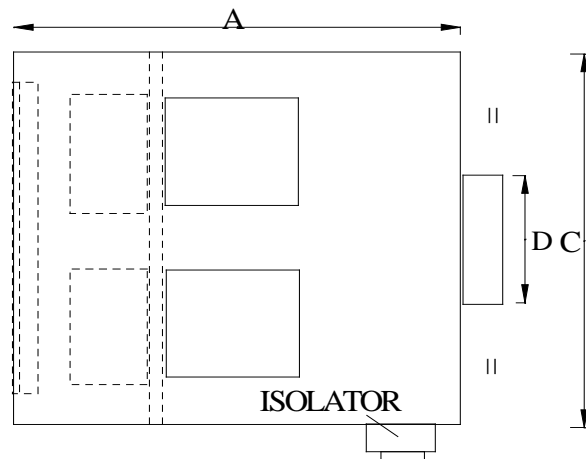
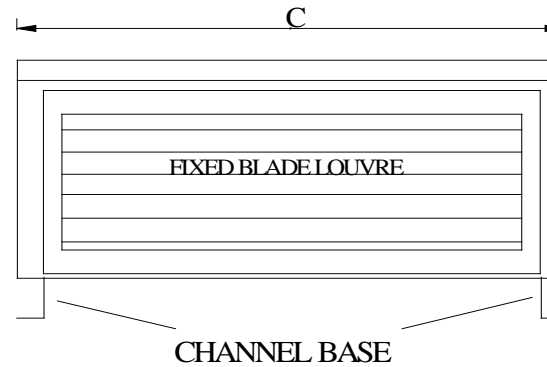
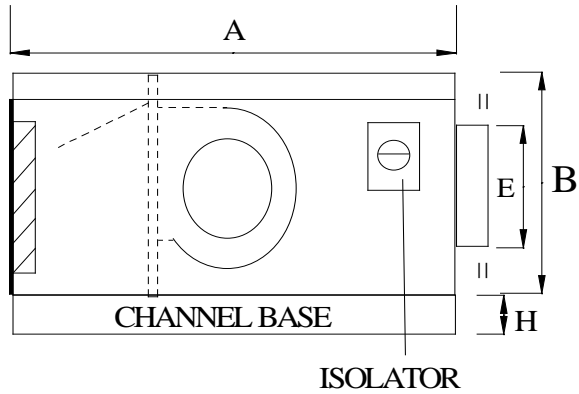
PTS 8 3PH
 6 Pole DD 12/9
 Motor 1100 Watt
 Flc 3.5 amps
 415/3/50
 Sound Power Spectrum
 63 125 250 500 1K 2K 4K 8K
 51 65 69 73 76 78 74 67



RECTANGULAR SPIGOT OPTION 400 H X 600 W

DIRECT DRIVE TWIN FAN UNITS ROOF MOUNTED MODEL WITH END INLET

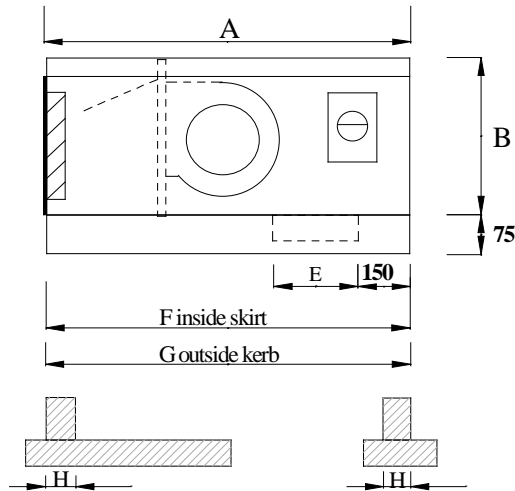
(DIMENSIONS and WEIGHTS)



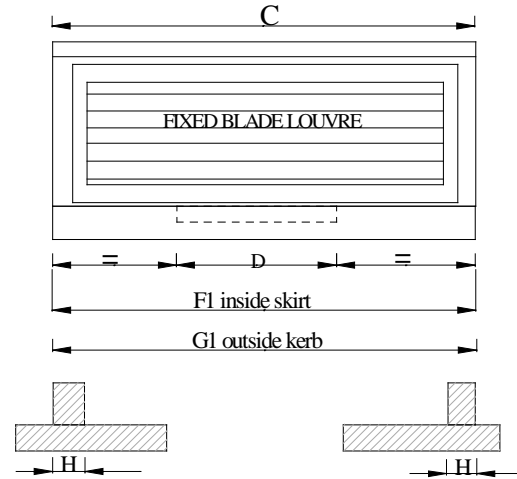
Twin Run / Standby Fans For External Mounting

CODE	A	B	C	D	E	H	WEIGHT (kg) Un-lined	WEIGHT (kg) lined	OPTIONAL EXTRA
PTRS1	500	220	550	175	100	50	12	17	125 Diameter spigot
PTRS2	500	300	700	225	150	50	17	24	150 Diameter spigot
PTRS3	600	320	740	250	150	50	22	27	200 Diameter spigot
PTRS4	700	400	900	350	200	50	32	45	250 Diameter spigot
PTRS5	800	450	900	400	325	50	47	55	315 Diameter spigot
PTRS6	800	450	1050	450	350	50	55	60	355 Diameter spigot
PTRS7	900	500	1100	450	350	50	57	62	400 Diameter spigot
PTRS8	1000	600	1200	600	400	50	92	97	500 Diameter spigot

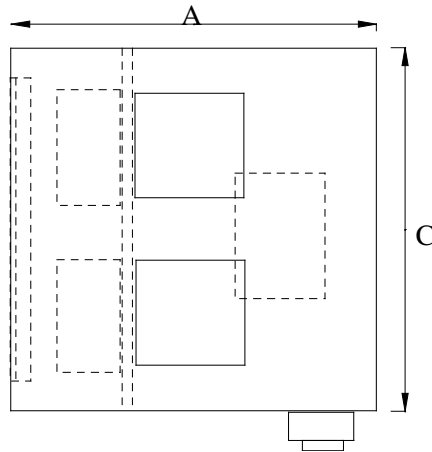
DIRECT DRIVE TWIN FAN UNITS
ROOF MOUNTED MODEL WITH SKIRT
(DIMENSIONS and WEIGHTS)



Side elevation showing kerb mounting



End elevation showing kerb mounting



Twin Run / Standby Fans For External Mounting

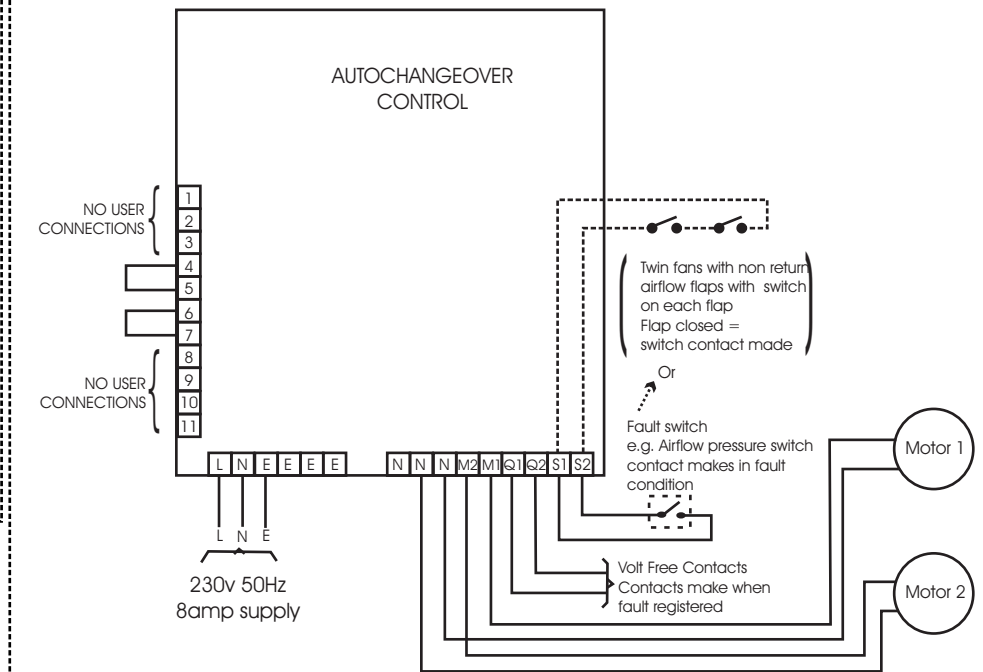
CODE	A	B	C	D	E	F	F1	G	G1	H	WEIGHT (kg) Un-lined	WEIGHT (kg) lined	OPTIONAL EXTRA
PTRS1	500	220	550	175	100	500	550	490	540	75	12	17	125 Diameter spigot
PTRS2	500	300	700	225	150	500	700	490	690	75	17	24	150 Diameter spigot
PTRS3	600	320	740	250	150	600	740	590	730	75	22	27	200 Diameter spigot
PTRS4	700	400	900	350	200	700	900	690	890	75	32	45	250 Diameter spigot
PTRS5	800	450	900	400	325	800	900	790	890	100	47	55	315 Diameter spigot
PTRS6	800	450	1050	450	350	800	1050	790	1040	100	55	60	355 Diameter spigot
PTRS7	900	500	1100	450	350	900	1100	890	1090	100	57	62	400 Diameter spigot
PTRS8	1000	600	1200	600	400	1000	1200	990	1190	100	92	97	500 Diameter spigot

INTRODUCTION

This controller is designed :

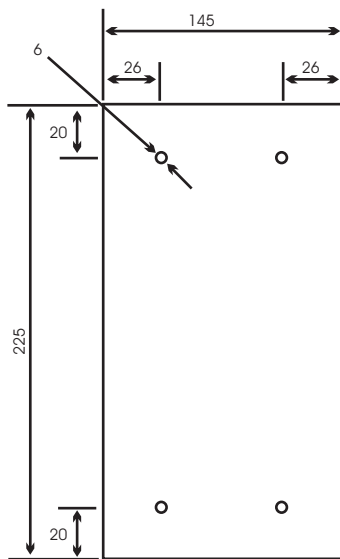
- To automatically change from one motor to another in the event of a fault condition.
- To ensure even duty of the motors, in its "Auto" mode, switch between motor 1 and motor 2 approximately every 5 hours. Alternatively, either motor can be selected and will only switch to standby in a fault condition. A double pole switch with neon is provided to switch the unit ON-OFF, the neon in the switch is illuminated in the ON position.
- So that in the event of a fault condition, the controller will automatically switch to standby motor. The display on the front of the control will show which motor is running and which has a fault. In addition to the fault indicator, a volt free contact rated at 230V 50Hz 5A will make under fault condition and stay made until the fault is removed and the control reset by switching OFF and back ON.
- So a fault condition can be monitored by any device or devices with a volt free contact which makes in a fault situation. This can be an airflow switch, flow switch, pressure switch, thermostat, humidity switch or any other suitable device.
- With a built-in electronic timer to prevent a fault condition being shown at turn on. This timer is set for approximately 20 seconds and will prevent spurious fault switching. Only after a fault condition has been monitored for 20 seconds will the standby motor be switched on.
- For 230V 50Hz SINGLE PHASE motors with a maximum full load current of 8 AMPS each. A fuse is provided for each motor and is replaceable from the front of the controller.

STANDARD WIRING DIAGRAM FOR SINGLE PHASE MOTORS



THE INFORMATION PROVIDED IN THE LITERATURE IS BELIEVED TO BE ACCURATE (SUBJECT TO CHANGE WITHOUT NOTICE). HOWEVER, USE OF INFORMATION SHALL BE ENTIRELY AT THE USER'S OWN RISK.

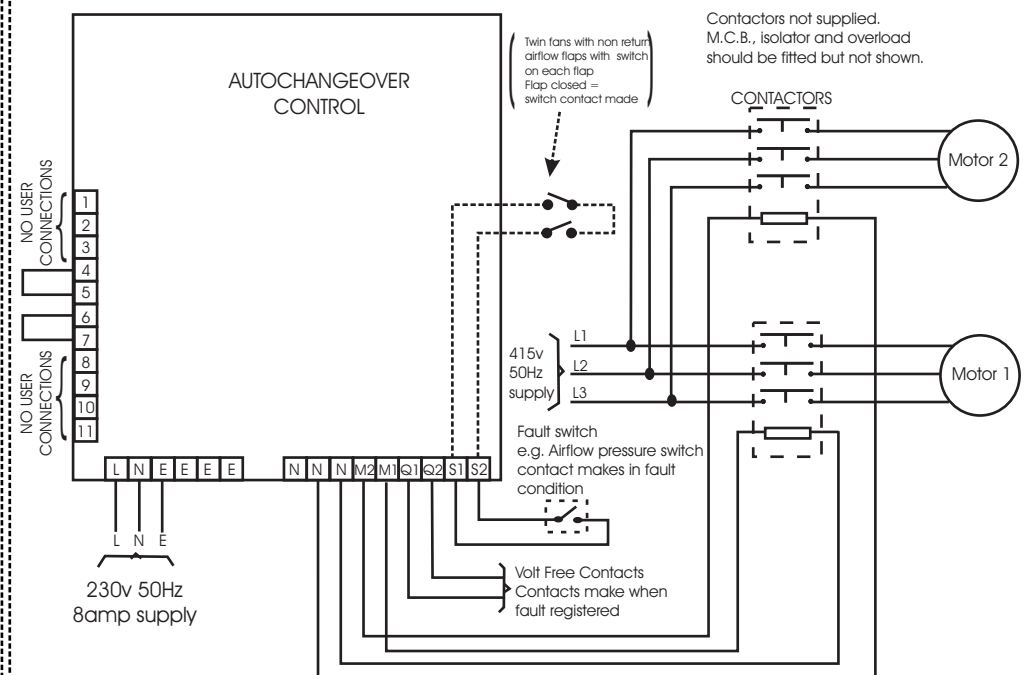
ENCLOSURE DETAILS



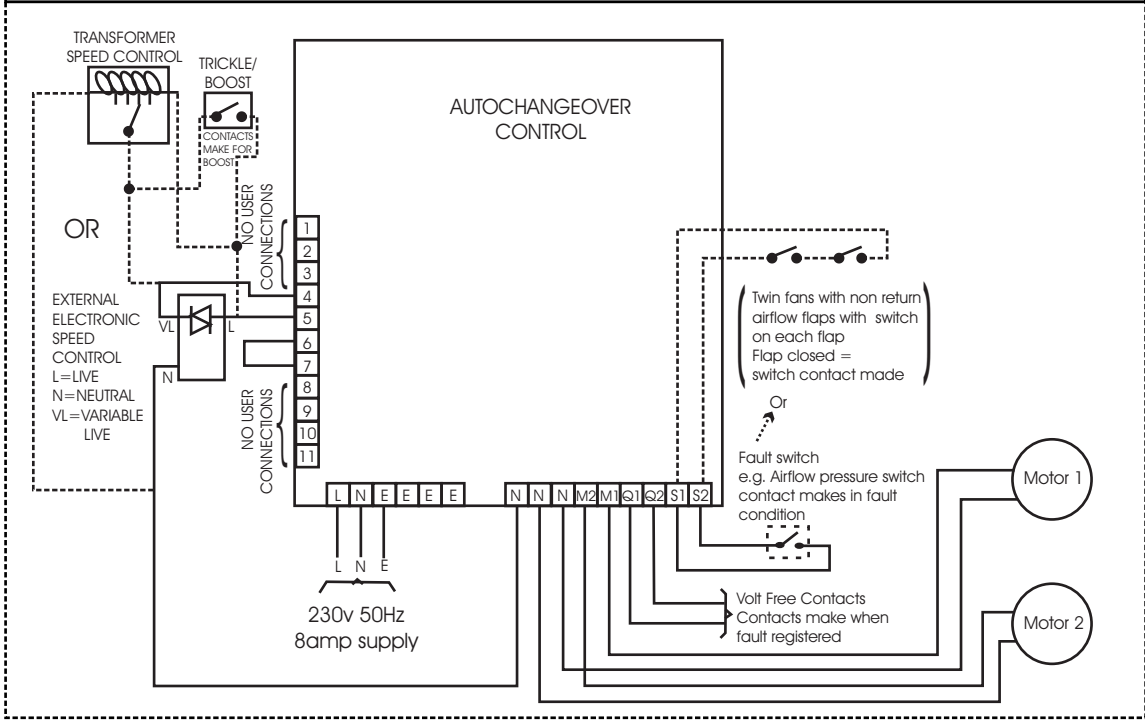
1.2mm MILD STEEL
WHITE (RAL 9010)

All measurements in mm

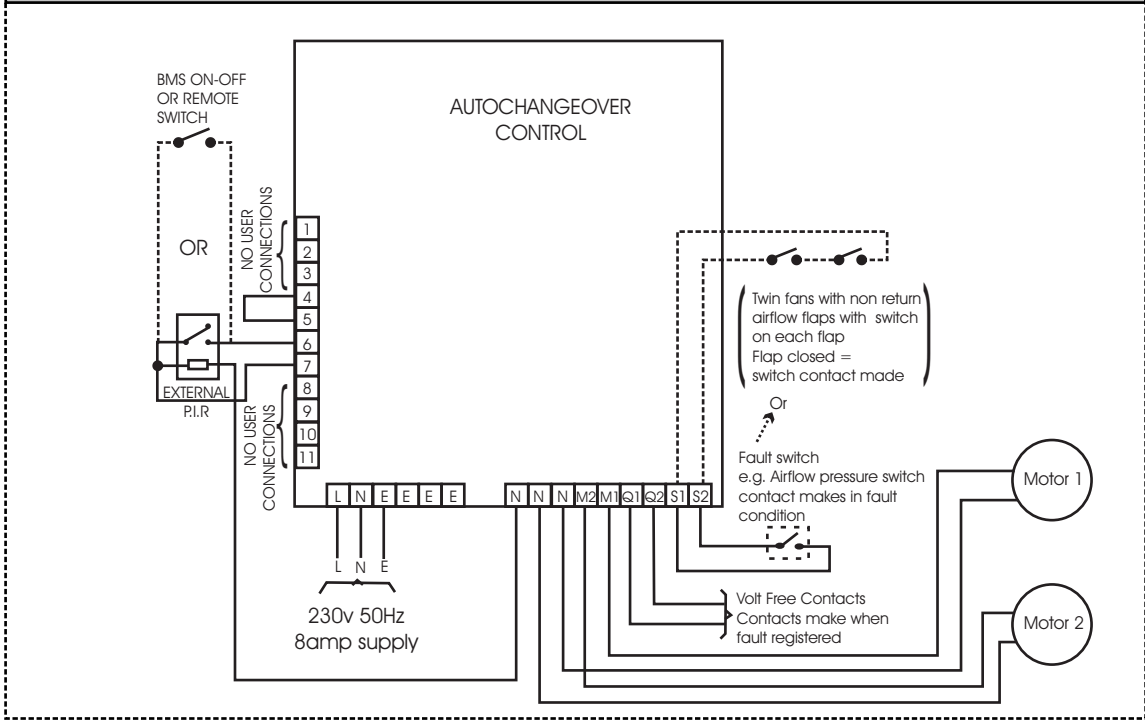
WIRING DIAGRAM FOR THREE PHASE MOTORS



WIRING DIAGRAM FOR SINGLE PHASE MOTORS WITH SPEED CONTROL



WIRING DIAGRAM FOR SINGLE PHASE MOTORS WITH P.I.R OR BMS



SUITABLE OVERLOAD PROTECTION FOR EACH MOTOR AND LOCAL ISOLATORS SHOULD BE PROVIDED BY OTHERS